

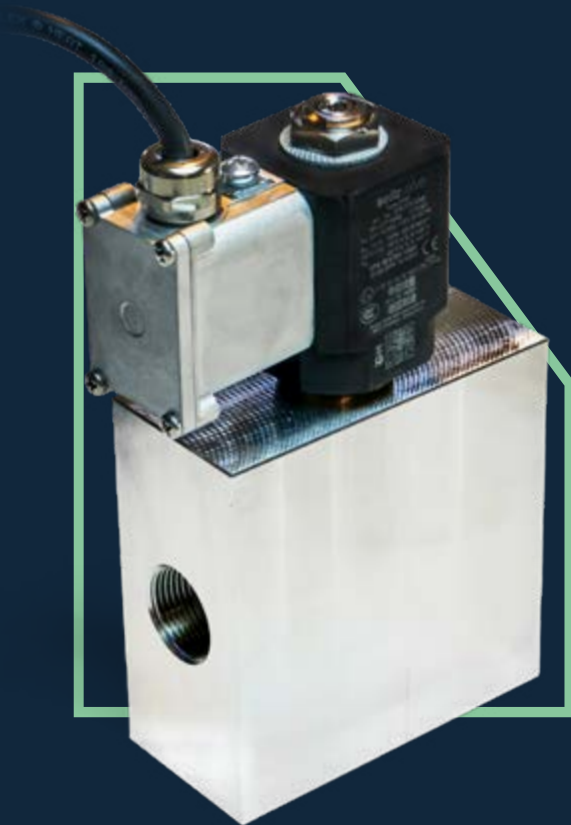
# HyValve 500 (DN15)

With the largest orifice size currently available on the high-pressure hydrogen solenoid valve market, the HyValve 500 DN15 guarantees an enormous flow rate to speed up every refueling process of current and future refueling protocols – ideal for heavy-duty vehicles, trucks and busses.

Despite the large orifice, its compact design still assures neat installment within the refueling system.

Due to Seitz' high quality and safety requirements, reliable and continuous use within the full temperature and pressure range is possible.

We aim to be your partner in building a hydrogen economy. For your peace of mind, our hydrogen valves were honed for long maintenance periods and easy serviceability. Our HyValve range will convince you by its high repeatability, utmost safety, and exceptional reliability.



HyValve 500, Type 3109A-3/4

## HyValve 500

### Type 3109 A-3/4

#### Technical data

Medium	Hydrogen
Function	2/2-way solenoid valve, NC
Pressure range (PN)	1 ... 50 MPa 10 ... 500 bar 145 ... 7'250 psi
Test pressure (PT)	75 MPa 750 bar 10'878 psi
Burst pressure (DIN EN 12516-3)	> 200 MPa > 2'000 bar > 29'007 psi
Design Pressure (PS)	10 ... 550 bar (145 ... 7'970 psi)
Orifice size	DN15
Material	Stainless steel (1.4404 or 1.4435)
Mounting	Any position
Ambient temperature	-40°C ... +85°C
Media temperature	-40°C ... +85°C
Rated voltage	24 V AC/DC or 230 V AC
IP-Code	IP 65/67
EC-type-examination	Solenoid coil 2F86: EPS 18 ATEX 1098 X IECEX EPS 18.0055 X Nepsi GYJ 18.1429 X © II 2G Ex mb IIC 150°C (T3)...(T4)Gb

## Order information

### HyValve 500

Type	Orifice Size	Tube Size	Flow Rate	Voltage	Material **	Item Number
3109 A-3/4	DN15	3/4" (19.05)	Kv = 3.577 m <sup>3</sup> /h Cv = 4.38 US-gal/min	24 V AC/DC 230 V AC	1.4435 1.4435	800.856.00 800.857.00
3109 A-1	DN15	1" (25.40)	Kv = 3.88 m <sup>3</sup> /h Cv = 4.486 US-gal/min	24 V AC/DC 230 V AC	1.4435 1.4435	800.854.00 800.855.00

### Solenoid coil

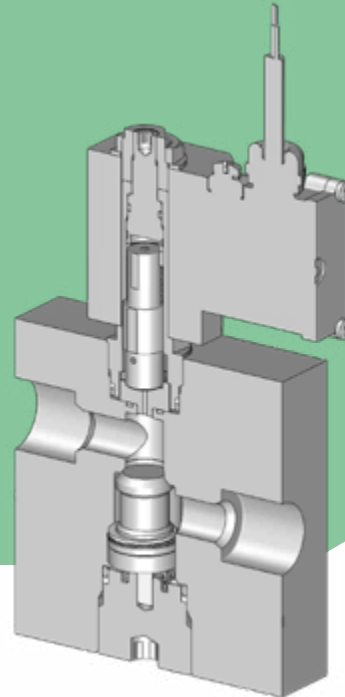
Type	Temperature Range	Rated Power	Voltage	Item Number
2F86	-50°C ... +85°C (T3)* -50°C ... +85°C (T3)*	16 W*** 16 W***	24 V AC/DC ± 15% 230 V AC ± 15%	275.275.024B 275.275.230B

\* T4: -50°C ≤ Tamb ≤ +65°C

\*\* Pressure retaining housing is made of listed material

\*\*\* Duty cycle 100% over full temperature range

For detailed dimensional drawing or 3-D model, please contact us.



**Eugen Seitz AG**  
Spitalstrasse 204  
8623 Wetzikon  
Switzerland

+41 44 931 80 80  
[h2info@seitz.ch](mailto:h2info@seitz.ch)

**西兹阀门技术(上海)有限公司**  
中国·上海市·虹漕路 421 号 67 幢 910 室

电话: +86 21 33633880  
传真: +86 21 33633883

[seitzhydrogen.ch](http://seitzhydrogen.ch)

Our policy is one of continued research and development. We therefore reserve the right to amend, without notice, the specification given in this document.

© 2023 Eugen Seitz AG