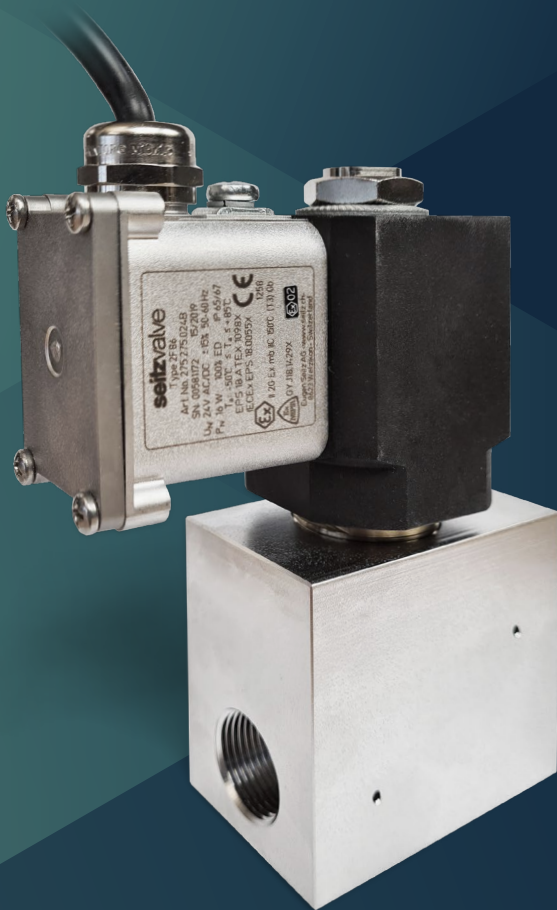


HyValve 500 (DN 8)

Engineered from the 1000 bar version, HyValve 500 was introduced to the SeitzValve hydrogen family. It has been optimized for the dispensing of hydrogen at up to 550 bar and matches highest quality and safety standards.

Through its highly compact, modern design, you will save space and investment of your bus or truck refueling system application. The broad temperature range allows a safe and fast filling process, no matter where your station may be located.

We aim to be your partner in building a hydrogen economy. For your peace of mind, our hydrogen valves were honed for long maintenance periods and easy serviceability. Our HyValve range will convince you by its high repeatability, utmost safety and exceptional reliability.



HyValve 500, Type 3108 A

HyValve 500

Type 3108

Technical data

Medium	Hydrogen
Function	2/2-way solenoid valve, NC
Pressure range (PN)	1 ... 55 MPa 10 ... 5'550 bar 145 ... 7'977 Psi
Test pressure (PT)	82.5 MPa 825 bar 11'965 Psi
Burst pressure (DIN EN 12516-3)	> 220 MPa > 2'000 bar > 31'908 Psi
Design Pressure (PS)	550 bar (7'977 Psi)
Orifice size	DN 8
Material	Stainless steel (1.4404 or 1.4435)
Mounting	Any position
Ambient temperature	-40°C ... +85°C
Media temperature	-40°C ... +85°C
Rated voltage	24 V AC/DC or 230 V AC
IP-Code	IP 65/67
EC-type-examination	Solenoid coil 2F86: EPS 18 ATEX 1098 X IECEx EPS 18.0055 X Nepsi GYJ 23.1022 X Ⓢ II 2G Ex mb IIC 150°C (T3)...(T4)Gb

Order information

HyValve 500

Type	Orifice Size	Tube Size	Flow Rate	Voltage	Material **	Item Number
3108 A	DN 8	9/16" (14.29)	Kv = 1.15 m ³ /h Cv = 1.33 US-gal/min	24 V AC/DC	1.4404	800.835.00
				24 V AC/DC	1.4435	800.850.00
				230 V AC	1.4404	800.836.00
3108 G	DN 8	G 3/8" (16.66)	Kv = 1.15 m ³ /h Cv = 1.33 US-gal/min	24 V AC/DC	1.4404	800.841.00
				230 V AC	1.4404	800.842.00

Solenoid coil

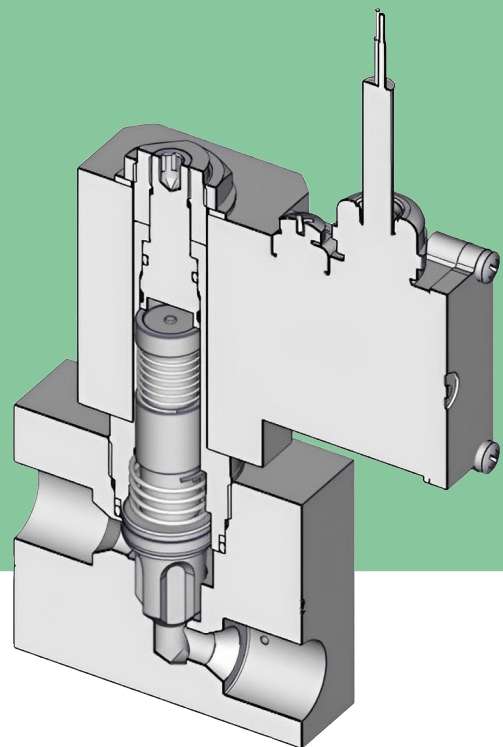
Type	Temperature Range	Rated Power	Voltage	Item Number
2F86	-50°C ... +85°C (T3)*	16 W***	24 V AC/DC ±15%	275.275.024B
	-50°C ... +85°C (T3)*	16 W***	230 V AC ±15%	275.275.230B

* T4: -50°C ≤ Tamb ≤ +65°C

** Pressure retaining housing is made of listed material

*** Duty cycle 100% over full temperature range

For detailed dimensional drawing or 3-D model, please contact us.



Eugen Seitz AG
Spitalstrasse 204
8623 Wetzikon
Switzerland
+41 44 931 80 80
h2info@seitz.ch

西兹阀门技术(上海)有限公司
中国 .上海市 .虹漕路 421 号67 幢910 室
电话: **+86 21 33633880**
传真: **+86 21 33633883**