

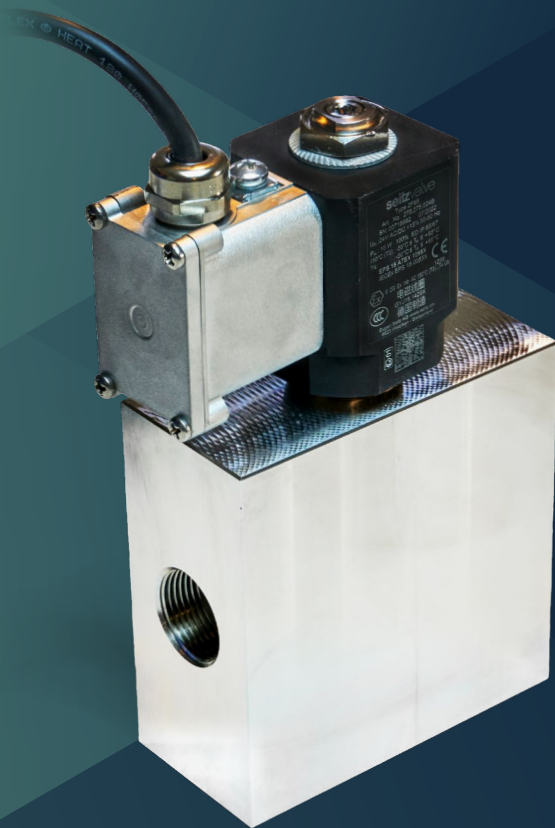
HyValve 500 (DN 15)

With the largest orifice size currently available on the high-pressure hydrogen solenoid valve market, the HyValve 500 DN 15 guarantees an enormous flow rate to speed up every refueling process of current and future refueling protocols – ideal for heavy-duty vehicles, trucks, busses, and trains.

Despite the large orifice, its compact design still assures neat installment within the refueling system.

Due to Seitz' high quality and safety requirements, reliable and continuous use within the full temperature and pressure range is possible.

We aim to be your partner in building a hydrogen economy. For your peace of mind, our hydrogen valves were honed for long maintenance periods and easy serviceability. Our HyValve range will convince you by its high repeatability, utmost safety, and exceptional reliability.



HyValve 500, Type 3109 A-3/4

HyValve 500

Type 3109 A-3/4

Technical data

Medium	Hydrogen
Function	2/2-way solenoid valve, NC
Pressure range (PN)	1 ... 55 MPa 10 ... 5'550 bar 145 ... 7'977 Psi
Test pressure (PT)	82.5 MPa 825 bar 11'965 Psi
Burst pressure (DIN EN 12516-3)	> 220 MPA > 2'200 bar > 31'908 Psi
Design Pressure (PS)	550 bar (7'977 Psi)
Orifice size	DN 15
Material	Stainless steel (1.4435)
Mounting	Any position
Ambient temperature	-40°C ... +85°C
Media temperature	-40°C ... +85°C
Rated voltage	24 V AC/DC or 230V AC
IP-Code	IP 65/67
EC-type-examination	Solenoid coil 2F86: EPS 18 ATEX 1098 X IECEx EPS 18.0055 X Nepsi GYJ 23.1022 X © II 2G Ex mb IIC 150°C (T3)...(T4)Gb

Order information

HyValve 500

Type	Orifice Size	Tube Size	Flow Rate	Voltage	Material **	Item Number
3109 A-3/4	DN 15	3/4" (19.05)	Kv = 3.577 m ³ /h	24 V AC/DC	1.4435	800.856.00
			Cv = 4.38 US-gal/min	230 V AC	1.4435	800.857.00
3109 A-1	DN 15	1" (25.40)	Kv = 3.86 m ³ /h	24 V AC/DC	1.4435	800.854.00
			Cv = 4.46 US-gal/min	230 V AC	1.4435	800.855.00

Solenoid coil

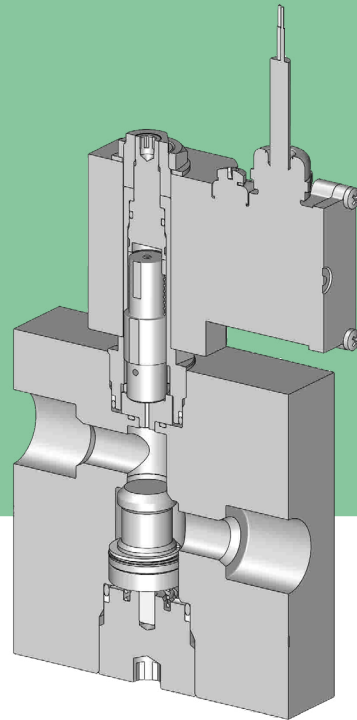
Type	Temperature Range	Rated Power	Voltage	Item Number
2F86	-50°C ... +85°C (T3)*	16 W***	24 V AC/DC ±15%	275.275.024B
	-50°C ... +85°C (T3)*	16 W***	230 V AC ±15%	275.275.230B

* T4: -50°C ≤ Tamb ≤ +65°C

** Pressure retaining housing is made of listed material

*** Duty cycle 100% over full temperature range

For detailed dimensional drawing or 3-D model, please contact us.



Eugen Seitz AG
Spitalstrasse 204
8623 Wetzikon
Switzerland
+41 44 931 80 80
h2info@seitz.ch

西兹阀门技术(上海)有限公司
中国 .上海市 .虹漕路 421 号67 幢910 室
电话: +86 21 33633880
传真: +86 21 33633883